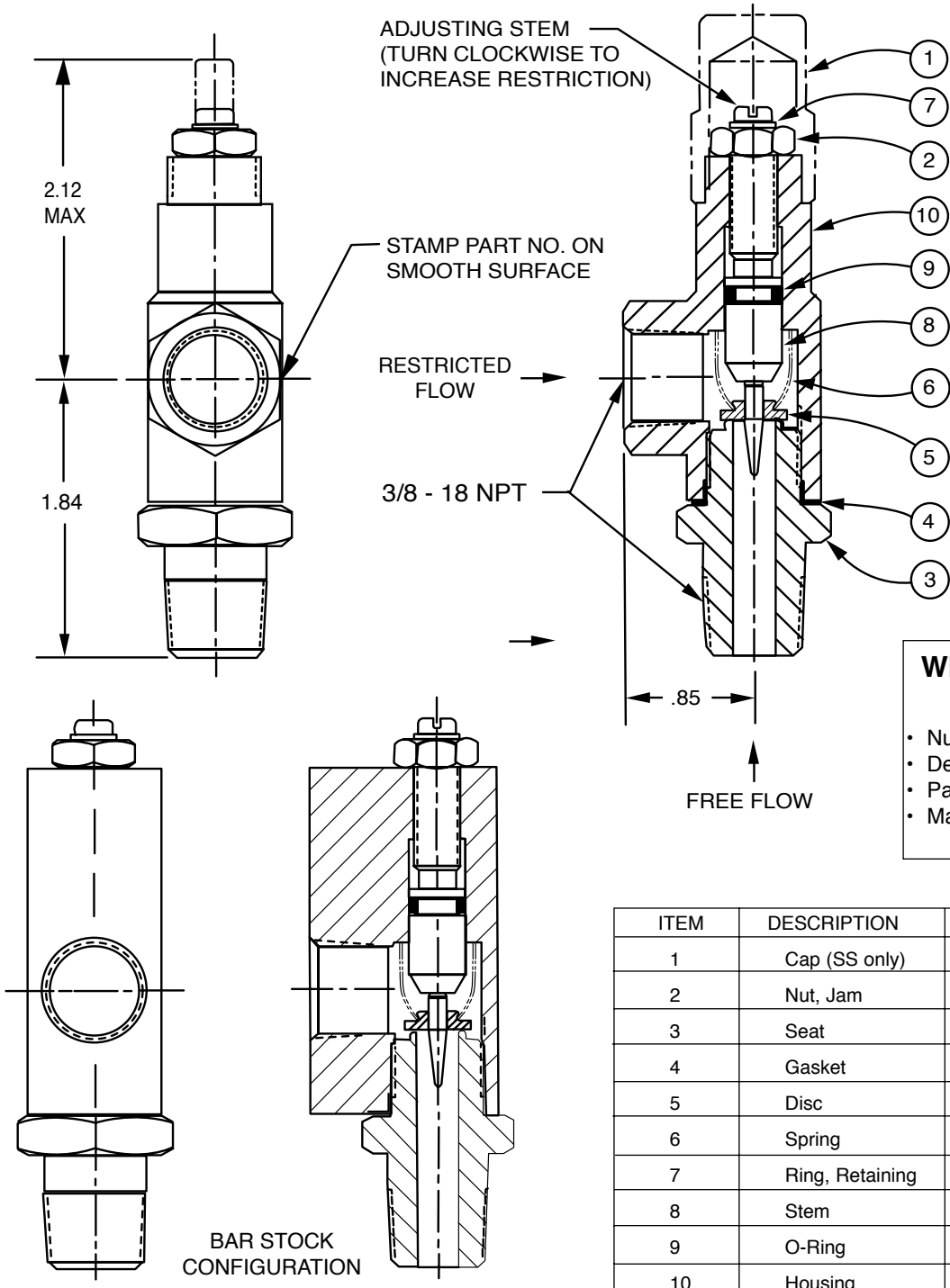




**CV**

**3/8" Flow Control**



**When ordering parts, please specify:**

- Number Stamped on Side
- Description (CV Flow Control)
- Part Description
- Material

ITEM	DESCRIPTION	QTY
1	Cap (SS only)	1
2	Nut, Jam	1
3	Seat	1
4	Gasket	1
5	Disc	1
6	Spring	1
7	Ring, Retaining	1
8	Stem	1
9	O-Ring	1
10	Housing	1