

# Flow Control



**Model CV**

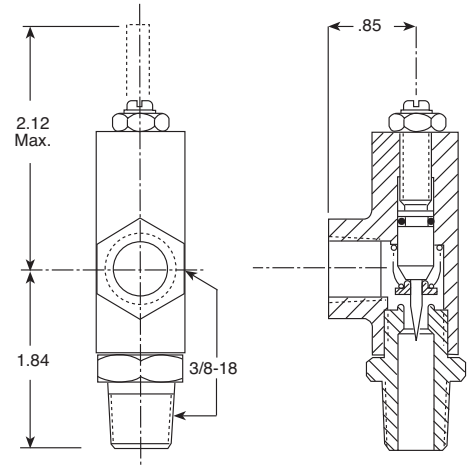
- Corrosion Resistant
- Automatic Operation
- Operates In Any Position
- Easy Adjustments
- No Lubrication
- Easy Maintenance

The CV Control is an adjustable restriction which acts as a needle valve when flow is in the direction of the stem. When flow is in the reverse direction, the port area opens fully to allow unrestricted flow. When installed in the control system of a Cla-Val automatic valve, it can be arranged to function as either an opening or closing speed control.

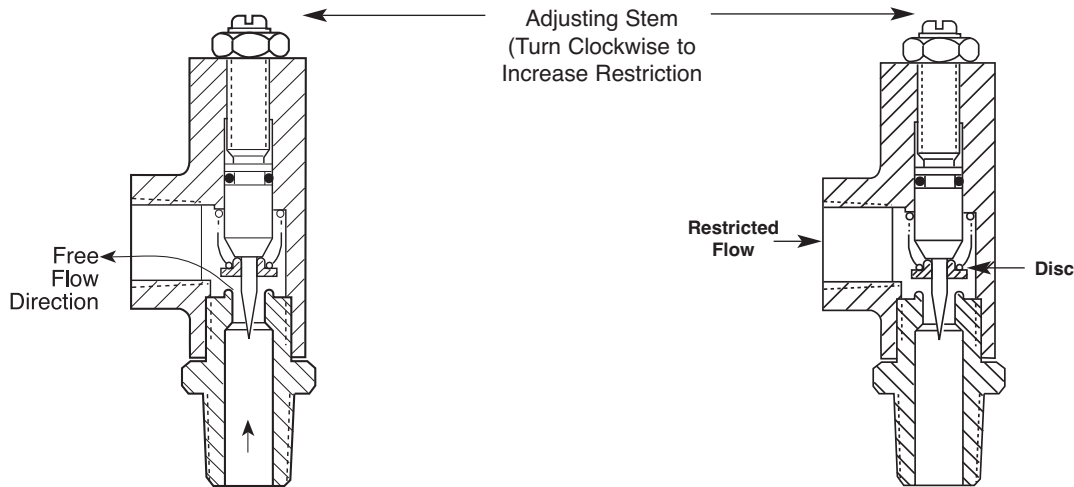
## Specifications

|                   |  |
|-------------------|--|
| Size              | 3/8"   |
| End Detail        | 3/8" NPT – One connection male & one connection female   |
| Pressure Rating   | 400 psi Max.   |
| Temperature Range | 250°F Max.   |
| Materials         | Housing: Bronze ASTM B61<br>Trim: Stainless Steel 303<br>Other Materials available:<br>All Stainless Steel<br>Bronze & Monel |

## Dimensions (In Inches)



## Principle of Operation



**Free Flow**, is against the direction of the needle. The disc is forced off its seat by line pressure allowing full capacity flow through the control

**Restricted Flow**, is in the direction of the needle. This disc is forced against its seat by line pressure. Flow is metered through the control by the fine taper of the needle and the small openings in the disc.