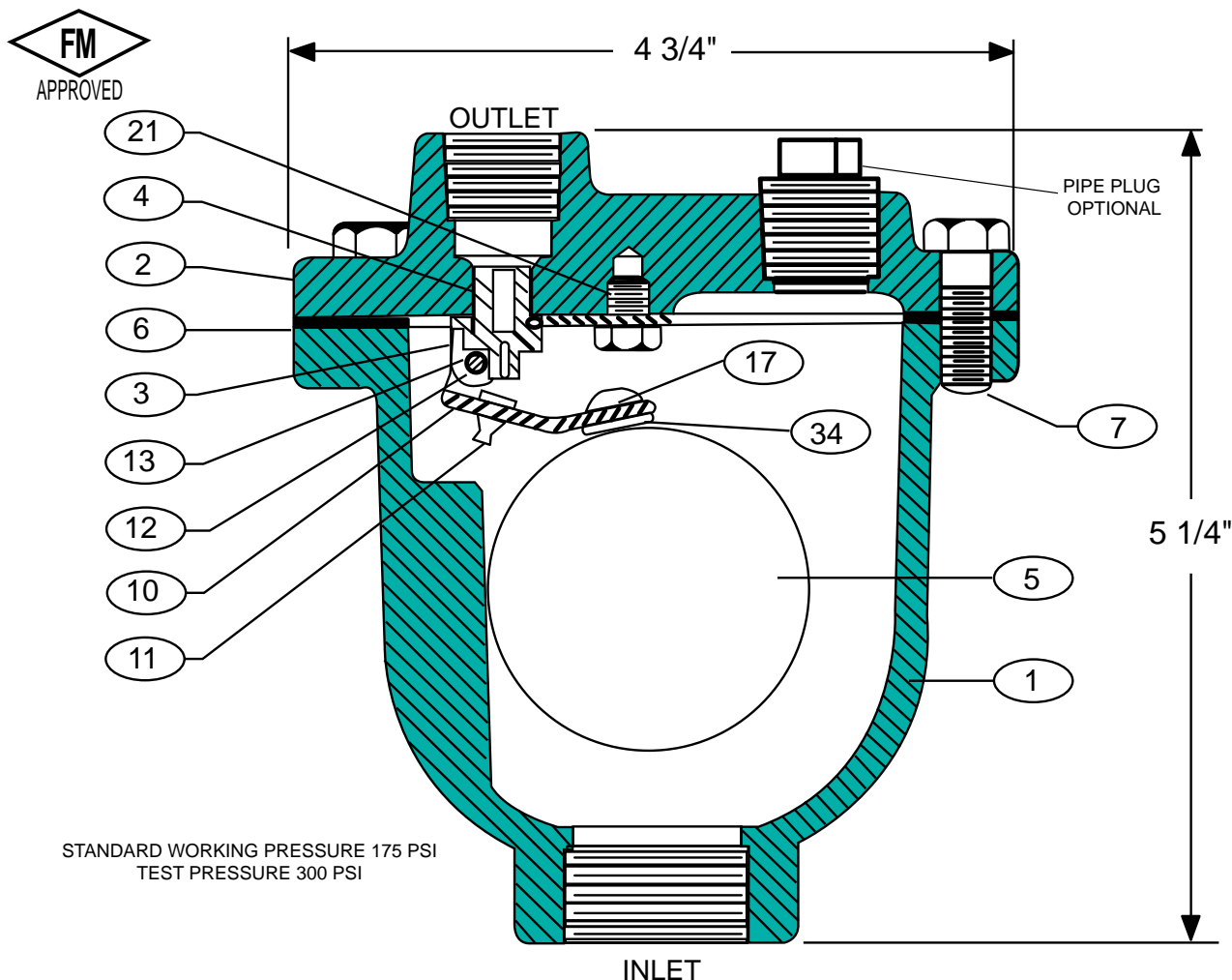




Series 34

Air Release Valve – Simple Lever Type



STANDARD WORKING PRESSURE 175 PSI
TEST PRESSURE 300 PSI

Detail No.	Part Name	Material	Detail No.	Part Name	Material
1	Body	Cast Iron ASTM A126, Class B	10	Float Arm	Stainless Steel T304, ASTM A240
2	Cover	Cast Iron ASTM A126, Class B	11	Orifice Button	Viton
3	Lever Frame	Stainless Steel T304, ASTM A240	12	Pivot Pin	Stainless Steel T303, ASTM A276
4	Seat	Stainless Steel T303, ASTM A276	13	Pin Retainer	Stainless Steel PH 15-7 Mo
5	Float	Stainless Steel T304, ASTM A240	17	Float Retainer	Stainless Steel T304, ASTM A276
6	Gasket	Garlock #3000 (Non-Asbestos)	21	Locator	Stainless Steel T18-8, ASTM A276
7	Cover Bolt	Alloy Steel SAE Grade 5	34	Lock Washer	Stainless Steel T304, ASTM A240

Valve Size	Model No.		Inlet Size	Outlet Size	Wt. Lbs.
	175 psi Max. W.P.	175 psi Orifice			
1/2"	3450AR-116	1/16"	1/2"	1/2" NPT	6
3/4"	3475AR-116	1/16"	3/4"	1/2" NPT	6
1"	3410AR-116	1/16"	1"	1/2" NPT	6